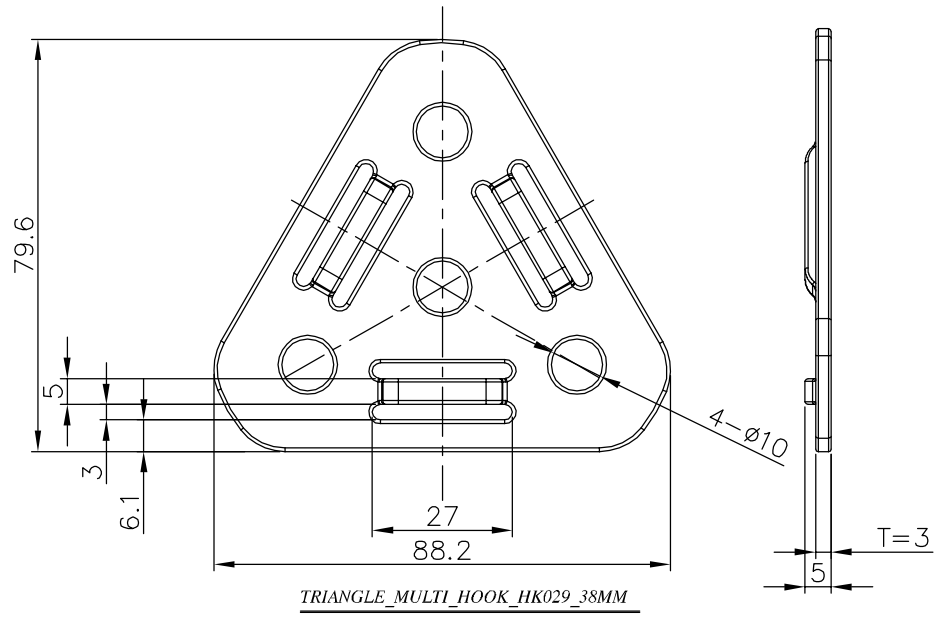
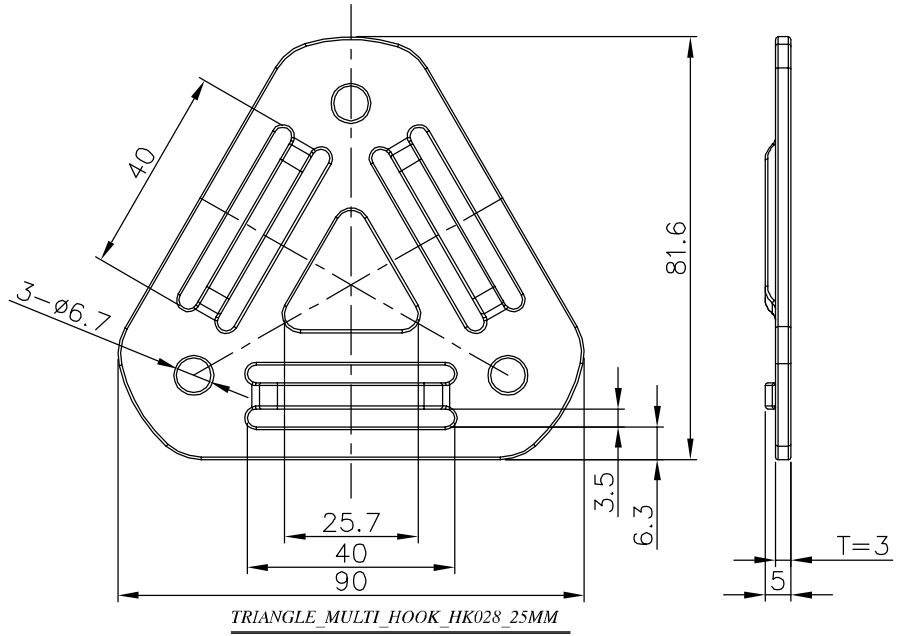
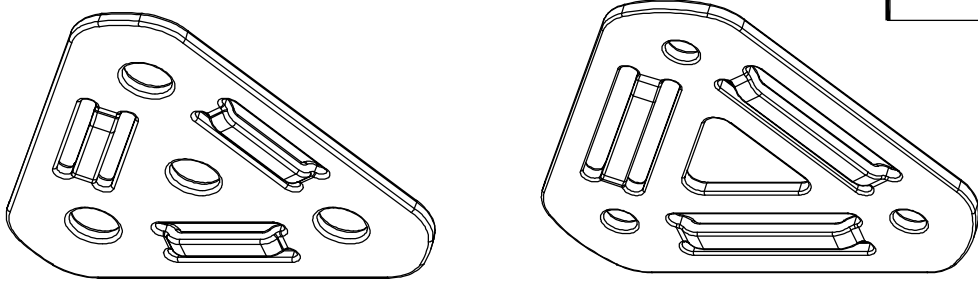


REV.	Description	Engineer	Date



GENERAL TOLERANCE	STEP (mm)	Level 1	Level 2	Level 3	Date :	ITEM NAME: TRIANGLE_MULTI_HOOK	
	0-50	±0.1	±0.2	±0.3	Weight ! g :		
	51-100	±0.15	±0.3	±0.6	Size :		ITEM NO: KH028,29_25,38MM
	101-200	±0.2	±0.4	±0.8	Color :		
	201-above	±0.3	±0.6	±1.0	Scale :		Material: ALU6061-T6
0-180°	±3°	±5°	±7°	Sheet:	Approva by :	Draw by :	
THESE DRAWINGS AND SPECIFICATIONS ARE THE PROPERTY OF WETOOL AND WEKORE AND SHALL NOT BE REPRODUCED, COPIED OR CUED IN ANY MANNER WITHOUT THE PRIOR WRITTEN CONSENT OF WETOOL AND WEKORE					<b>KORE TECH</b> <small>한국기술개발연구원</small>		