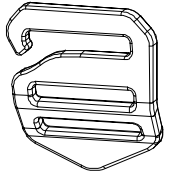
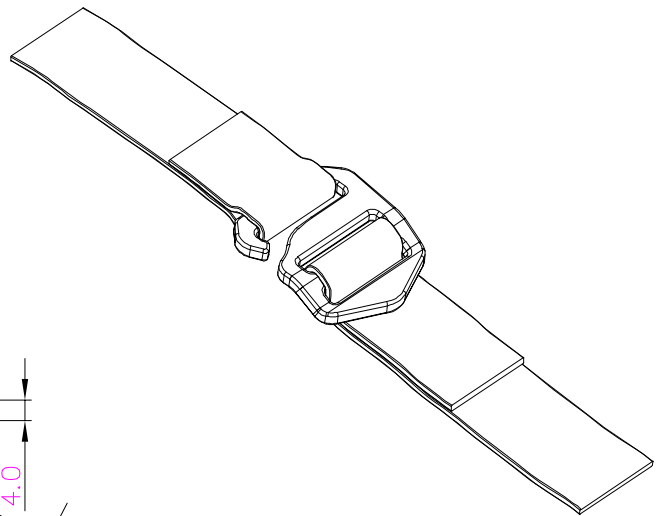
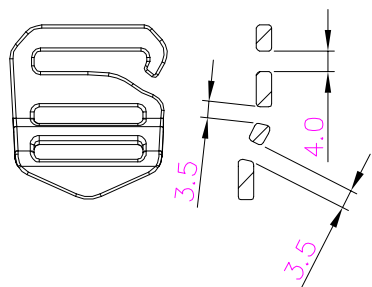
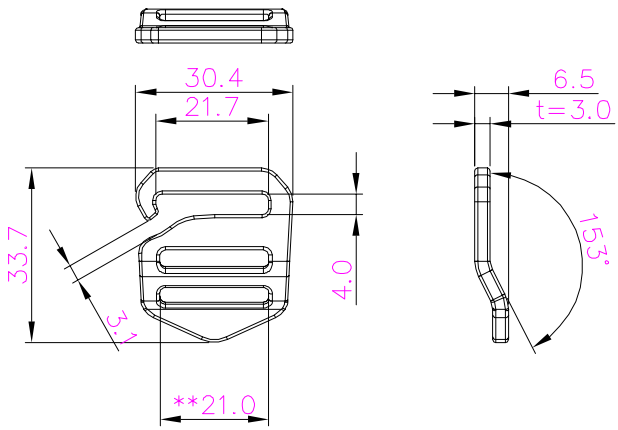


REV.	Description	Engineer	Date



3D VIEW



ASSEMBLY VIEW WITH WEBBING

- NOTES -

1. Material : ALU6061-T6 T=3MM
2. Burr of bracket should be minimized(0.03mm)and bracket should be free of sharp edge.
3. Unspecified radius of bracket should be 0.7mm.
5. ** marked dimensions are important, need careful management.
6. Sample approval is required before manufacturing.
7. Confer with the person in chrage on the other matters.

STEP (mm)	Level 1	Level 2	Level 3	Date :
0-50	±0.1	±0.2	±0.3	Weight ! g :
51-100	±0.15	±0.3	±0.6	Size :
101-200	±0.2	±0.4	±0.8	Color :
201-above	±0.3	±0.6	±1.0	Scale :
0-180°	±3°	±5°	±7°	Sheet:

<p>THESE DRAWINGS AND SPECIFICATIONS ARE THE PROPERTY OF WETOOL AND WEKORE AND SHALL NOT BE REPRODUCED, COPIED OR CUED IN ANY MANNER WITHOUT THE PRIOR WRITTEN CONSENT OF WETOOL AND WEKORE</p>		<p>KORE TECH RELIABILITY IS OUR QUALITY</p>	<p>ITEM NAME: TENSION HOOK 20MM</p>
<p>Approva by :</p>		<p>Draw by :</p>	<p>ITEM NO: HK060_20mm, L ,R</p>
<p>Material: ALU6061-T6</p>			