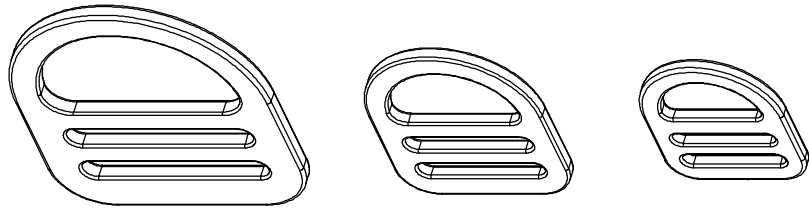
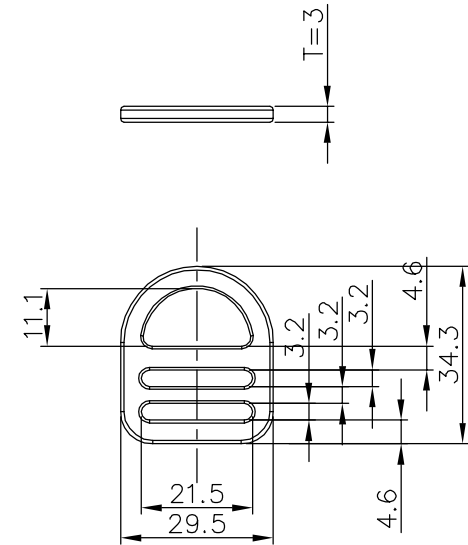
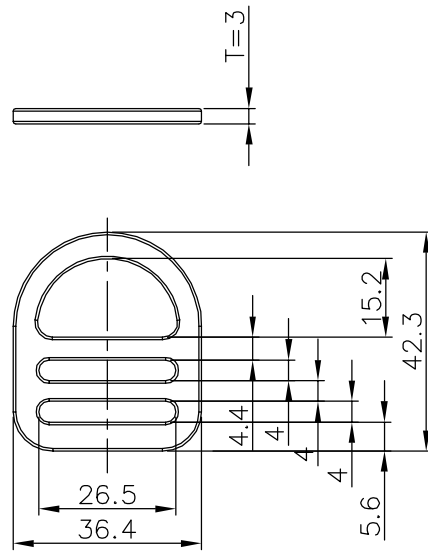
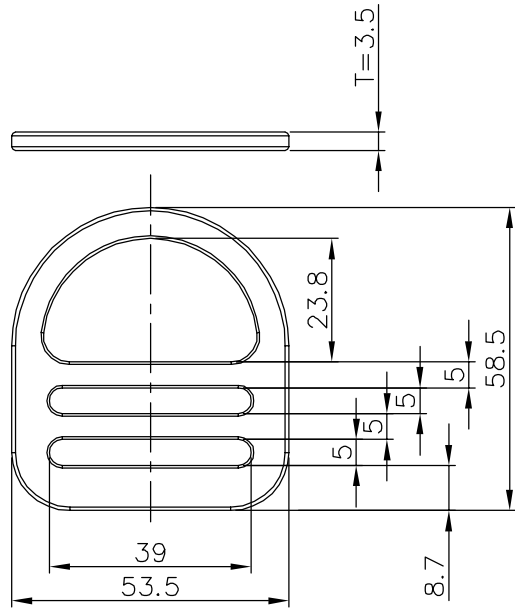


REV.	Description	Engineer	Date



3D VIEW



STEP (mm)	Level 1	Level 2	Level 3	Date :
0-50	±0.1	±0.2	±0.3	Weight : g :
51-100	±0.15	±0.3	±0.6	Size :
101-200	±0.2	±0.4	±0.8	Color :
201-above	±0.3	±0.6	±1.0	Scale :
0-180°	±3°	±5°	±7°	Sheet :

ITEM NAME: HOOK
ITEM NO: KH049_20,25,38MM
Material: ALU6061-T6

THESE DRAWINGS AND SPECIFICATIONS ARE THE PROPERTY OF WETOOL AND WEKORE AND SHALL NOT BE REPRODUCED, COPIED OR CUED IN ANY MANNER WITHOUT THE PRIOR WRITTEN CONSENT OF WETOOL AND WEKORE



Approval by :

Draw by :