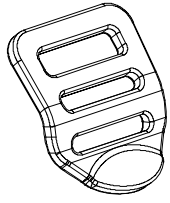
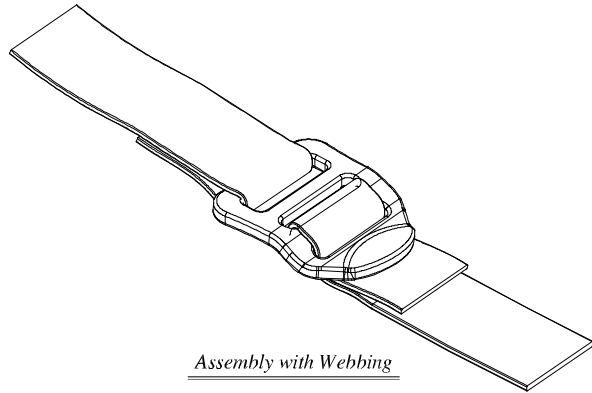


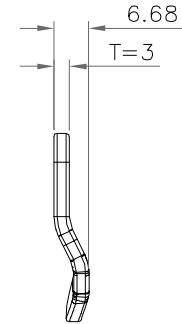
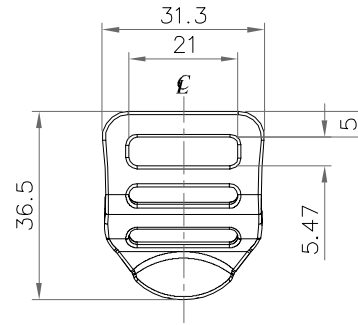
Duplication of this document and the use or communication of the contents thereof are forbidden without express authority. Offenders are punishable and liable to the payment of damages. All rights are reserved in the event of the grant of a patent or the registration of a utility model.



3D VIEW



Assembly with Webbing



REV.	Description	Engineer	Date

GENERAL TOLERANCE	STEP (mm)	Level 1	Level 2	Level 3	Date :	ITEM NAME: PADLOCK_HOOK
	0-50	±0.1	±0.2	±0.3	Weight / g :	ITEM NO: BW011_20MM
	51-100	±0.15	±0.3	±0.6	Size :	Material: ALU6061-T6
	101-200	±0.2	±0.4	±0.8	Color :	
	201-above	±0.3	±0.6	±1.0	Scale :	
0-180°	±3°	±5°	±7°	Sheet:		

KORE TECH
 RELIABILITY IS OUR QUALITY

Approva by :

Draw by