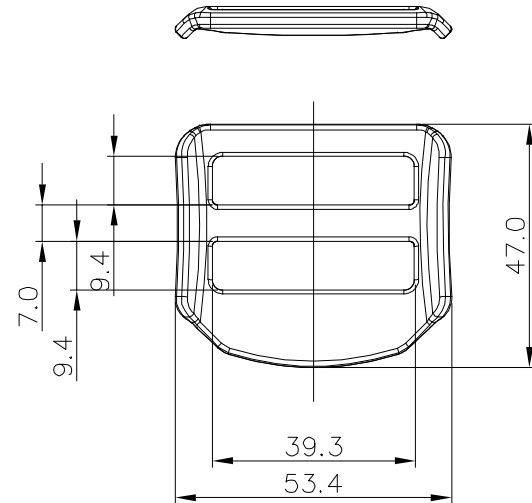
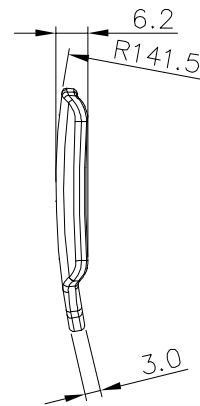
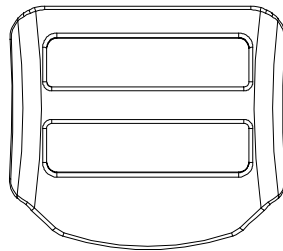
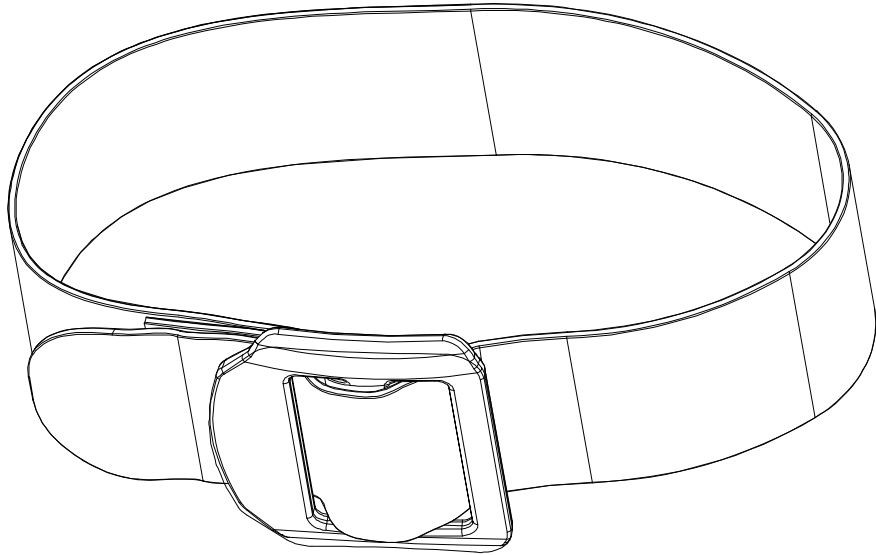


REV.	Description	Engineer	Date



- NOTES -

1. Material : ALU6061-T6 T=3MM
2. Burr of bracket should be minimized(0.03mm)and bracket should be free of sharp edge.
3. Unspecified radius of bracket should be 0.7mm.
5. ** marked dimensions are important, need careful management.
6. Sample approval is required before manufacturing.
7. Confer with the person in chrage on the other matters.

STEP (mm)	Level 1	Level 2	Level 3	Date :	ITEM NAME: BUCKLE_38MM
0-50	±0.1	±0.2	±0.3	Weight ↑ g :	ITEM NO: BK064_38MM
51-100	±0.15	±0.3	±0.6	Size :	Material: ALU6061-T6
101-200	±0.2	±0.4	±1.0	Color :	Approva by :
201-above	±0.3	±0.6	±1.0	Scale :	Draw by :
0-180°	±3°	±5°	±7°	Sheet:	

THESE DRAWINGS AND SPECIFICATIONS ARE THE PROPERTY OF WE TOOL AND WE KORE AND SHALL NOT BE REPRODUCED, COPIED OR CUED IN ANY MANNER WITHOUT THE PRIOR WRITTEN CONSENT OF WE TOOL AND WE KORE

